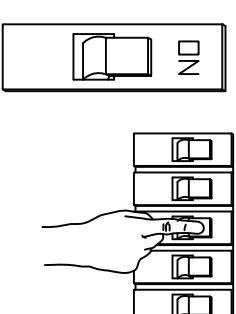
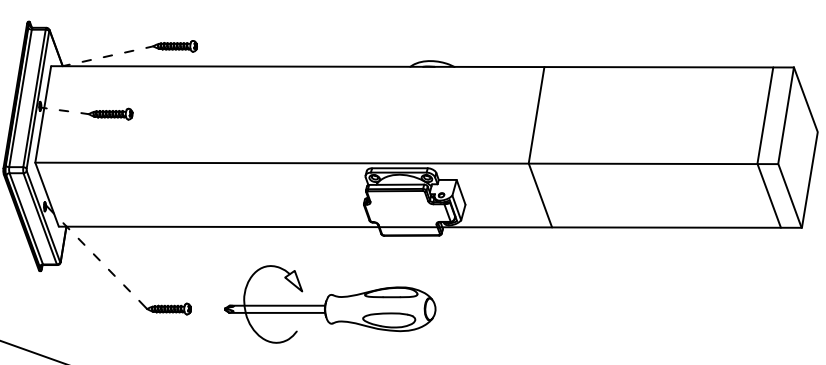
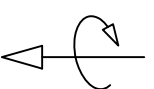
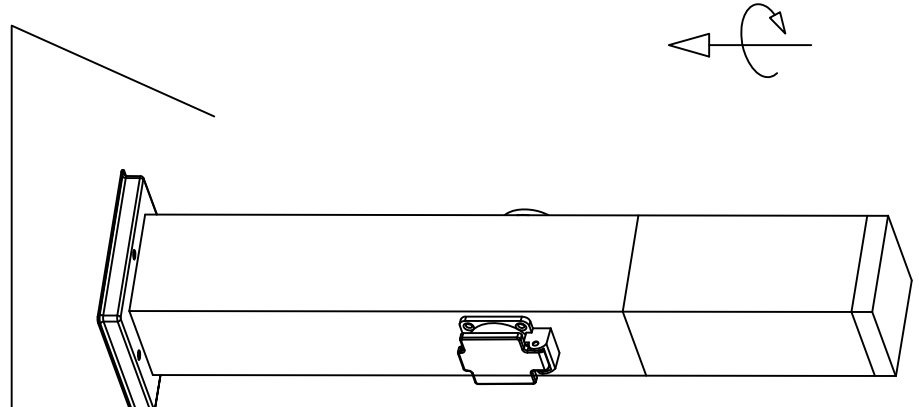
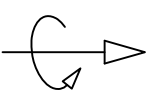
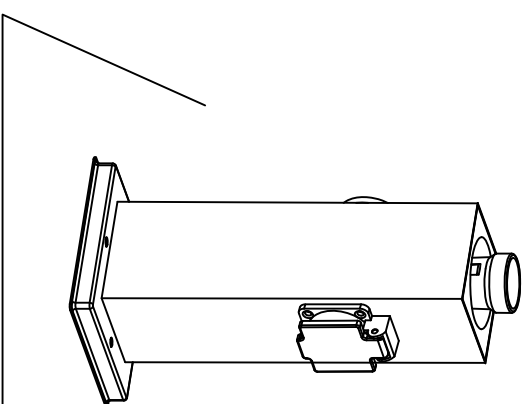
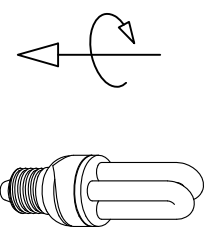
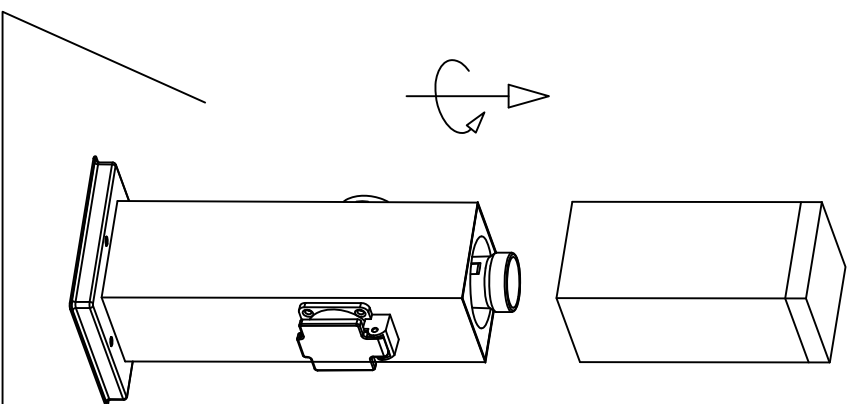
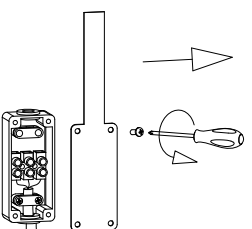
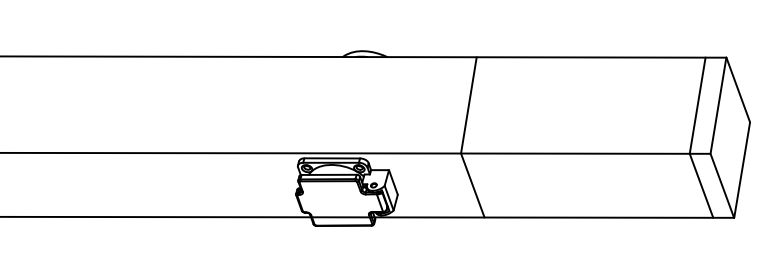
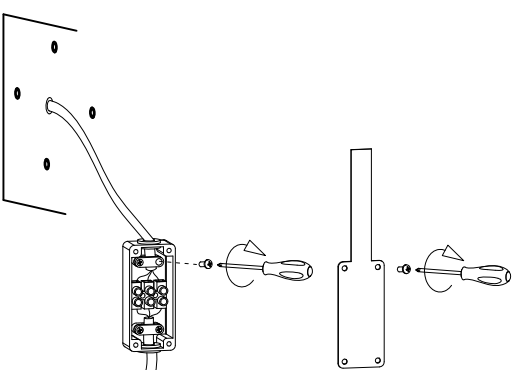


L=Brown
N=Blue
⊕=Green/Yellow



7

8

9

10

3

2

1

4

5

6